



TIGER 6s

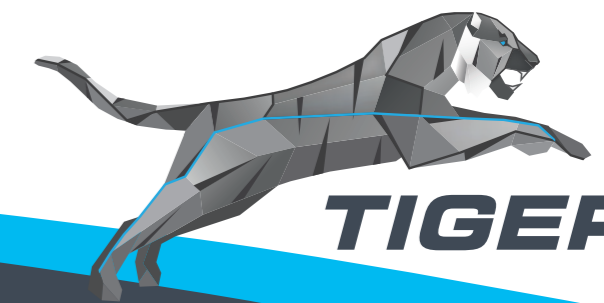


ROPA

Advanced innovation



- Practical and future-proof
- Harvest the complete beet crop
- 3.00 m width for harvesting without beet losses
- High reliability – sturdy construction
- Durable and with excellent residual value
- Patented chassis design - improved soil protection and operational safety
- Levelling on slopes and higher driving comfort
- Spacious cabin with two 12.1-inch R-Touch displays
- High bunker capacity – high daily performance
- Reduced fuel consumption
- Less wear and tear



TIGER 6s



Panorama cabin with improved, comfortable operation and two R-Touch displays

In comparison with the predecessors, the Tiger 6S has two 12.1-inch operating terminals with high pixel density resulting in even sharper resolution. Operation at the terminal with interactive buttons is even more intuitive and uses the same logic as tablets and smartphones.

In addition to the machine functions, two separate video streams can also be shown on the R-Touch display on the left A-pillar. The Tiger 6S has digital cameras as standard. The image quality of the digital cameras is significantly better, and an additional Ethernet network is integrated into the machine to handle the resulting greatly increased volumes of data. The relevant camera image is automatically displayed on the left R-Touch display while reversing or when unloading the bunker. The unloading conveyor and the bunker unloading can be controlled even more conveniently from the new ergonomic control element on the left armrest. Five function buttons on the right multifunction joystick can be customised, for example with the wide-area window wiper.

The new "intelligent main steering switch" automatically synchronises the articulation and front-axle steering for travel on the road as well as straight-ahead positioning of the rear wheels.



R-Connect Online Portal

R-Connect telematics module and remote diagnostics as standard equipment



The ROPA Tiger 6S comes with the efficient telematics hardware including SIM card for online access as standard equipment. The telematics module is thus the basis for proactive Service 4.0, particularly for predictive analytics and fast assistance and diagnostics if service is required on any continent. If service work is required, the service technician can link directly to the terminal and the machine controller to assist the driver with resolving the problem.

The R-Connect portal is the perfect tool for drivers and managers to use for online order processing and for optimisation of machines and fleets.

Now the supervisor can be present virtually "live" on the machine with the help of online facilities. A diesel supplier, for example, can also be granted access to the current location of the machine and the fuel level as well as AdBlue level, if provided.

The ROPA R-Connect online portal can be opened via a web browser with any device (PC, tablet, smartphone).



The dashboard shows the current status of the machines and the daily output. The location, road and harvesting travel along with the current harvesting progress of the various machines can be viewed in the individual view along with additional details. Finished orders are transmitted to the R-Connect portal where they can be viewed and evaluated by the machine schedulers in the R-Connect online portal as well as downloaded.

ROPA

R-Connect Monitor

R-Connect Monitor offers intelligent and fully automatic image documentation during the sugar beet harvest. Photos tagged with the location are automatically taken during lifting and while emptying the bunker.

The pictures taken by the optional camera on the cabin roof for monitoring the state of the crop before harvest and the pictures of the camera on the unloading conveyor for checking the quality of the harvest during unloading are allocated to the lifting order in the R-Connect portal.

The harvested area, the yield (number of bunker fillings) and the position of the beet clamp can all be recorded. A visual record of the beet area before the harvest and also the result of the harvest can therefore be documented.





Powerful LED lights turn night to day

18,600 lumens on the driver's cabin

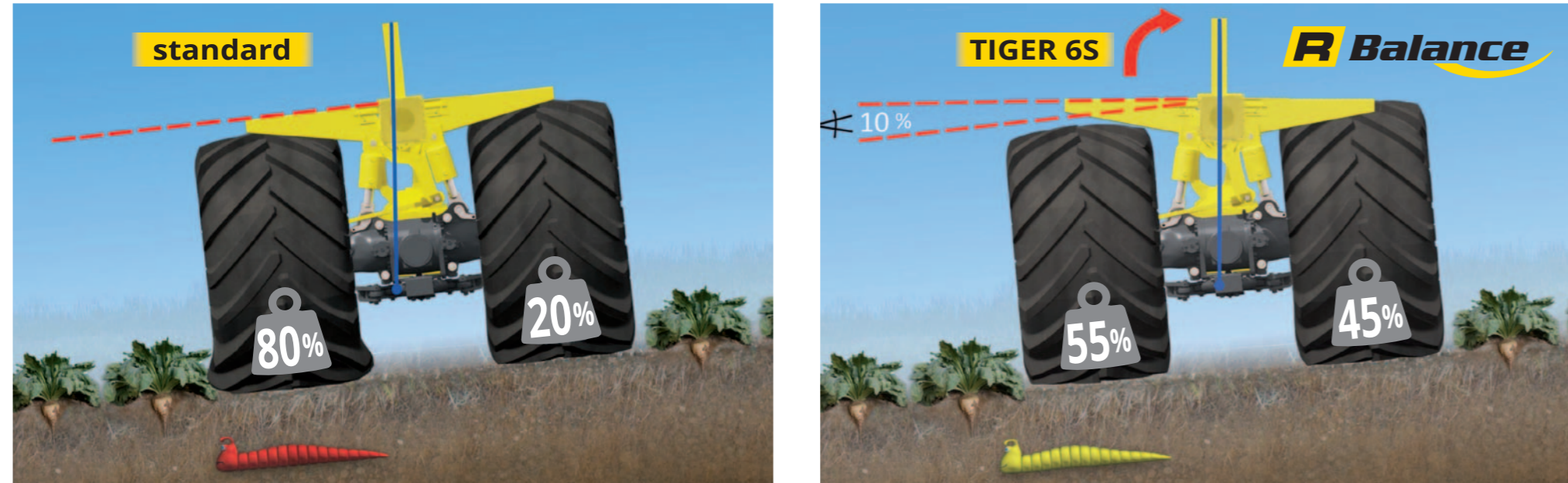
The Tiger 6S is fully equipped with LED spotlights with the combination of working spotlights and headlights providing outstanding illumination.

Lights menu

Single or all working lights can be switched on with a finger on the touch terminal. And again a one fingertip is enough to back up and recall three different lighting programs.



R-Balance - hydraulic chassis with slope compensation



Slope compensation up to 10% - gravity centre / ground pressure are compensated

The automatic slope compensation via six hydraulic cylinders and sensors is also unique among 3-axle sugar beet harvesters. The chassis is kept completely horizontally for up to 10 percent side slope. The gravity centre and, thus, the load of the wheels on the slope bottom side are shifted to the slope top side. The track depth of the wheels on the slope bottom side is substantially reduced, the infiltration capacity is retained, thus significantly reducing erosion risk during heavy rains. The slope stability and traction increase greatly, the risk of tipping over is considerably reduced alongside with increased driving comfort. **Soil-protective sugar beet harvesting also on the side slope without additional tyres inflation pressure increase!**

On the slope, the load and the gravity centre of the slope bottom side are shifted to the slope top side: soil-protective sugar beet harvesting also on the side slope!



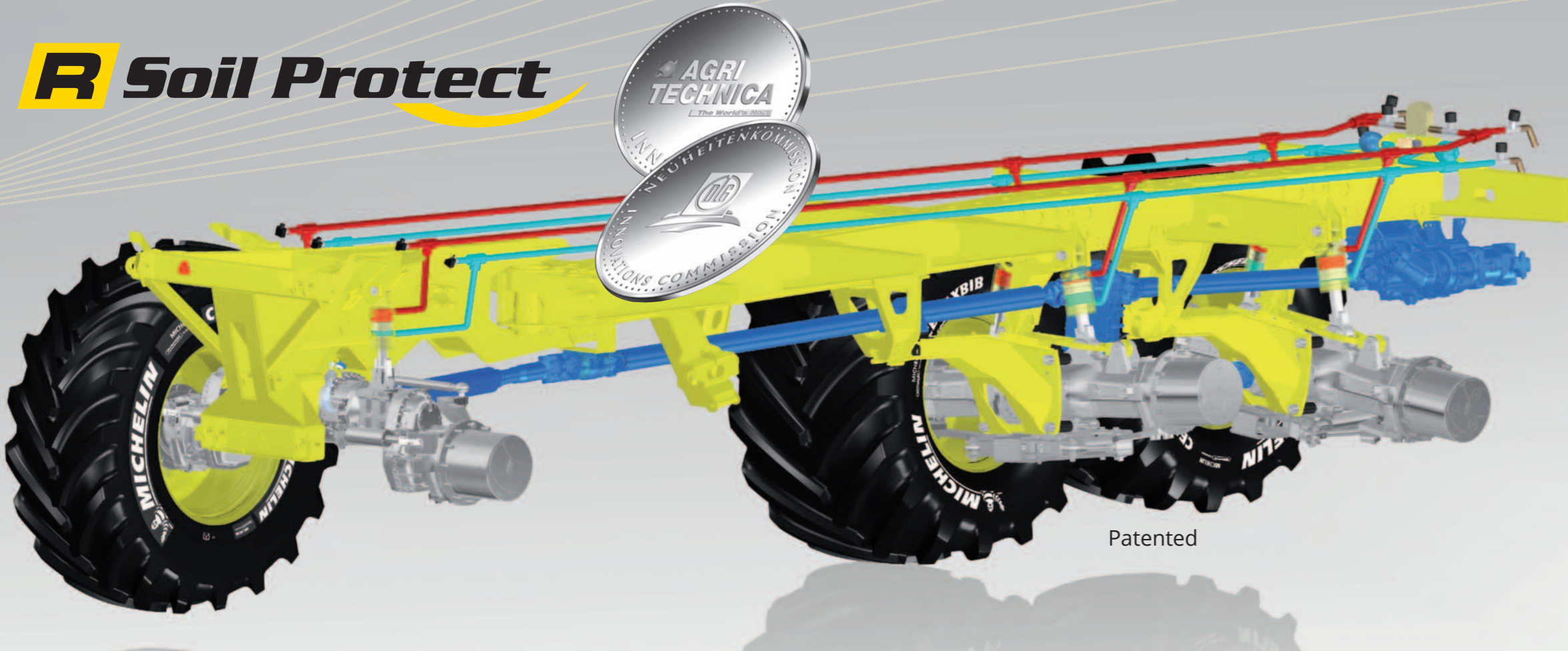
Hydraulic chassis, automatic slope compensation



ROPA

Soil-protective hydraulic chassis system with Ultraflex tyre technology with low tyre inflation pressure for sustainable land management

R Soil Protect



R Soil Protect

ROPA R-Soil Protect is the combination of a soil-protective, hydraulic chassis system with MICHELIN CerexBib tyre technology. This soil protection concept was awarded a silver medal at Agritechnica in Hanover. It only requires 1.4 bar tyre pressure and it is available as an option in the Tiger 6S. The synergy of the load-balancing hydraulic chassis with the new generation of MICHELIN IF1000/55 R32 CerexBib tyres offers even more contact surface with sustained soil protection and significantly reduced contact pressure.

ROPA R-Soil Protect

- Significantly improved soil protection due to tyre pressure reduced by 1 bar in comparison with euro-Tiger V8-4 - unique for harvesting root crops
- 49% greater tyre contact area, 33% lower contact pressure with the IF1000/55 R32 CerexBib
- Significant reduction of load peaks by load transfer:
8% less on the first axle, 37% less on the second axle, 43% less on the third axle
- Equal load distribution on all wheels by networked hydraulics
- On slopes, the load and the gravity centre of the low side of the slope are shifted to the high side
- Cleaning components are also guided horizontally on slopes, resulting in perfect cleaning performance
- Soil-protective sugar beet harvesting also on the side slope without requiring increased tyre pressures
- Maintains and protects soil structure, retaining infiltration capacity and air exchange

Summary: Resources and Soil Protection for Efficient Land Management

A new feature in the Tiger 6S is a 3-axis gyroscope with acceleration measurement for centrifugal force compensation for even finer regulation of the tilt.

ROPA

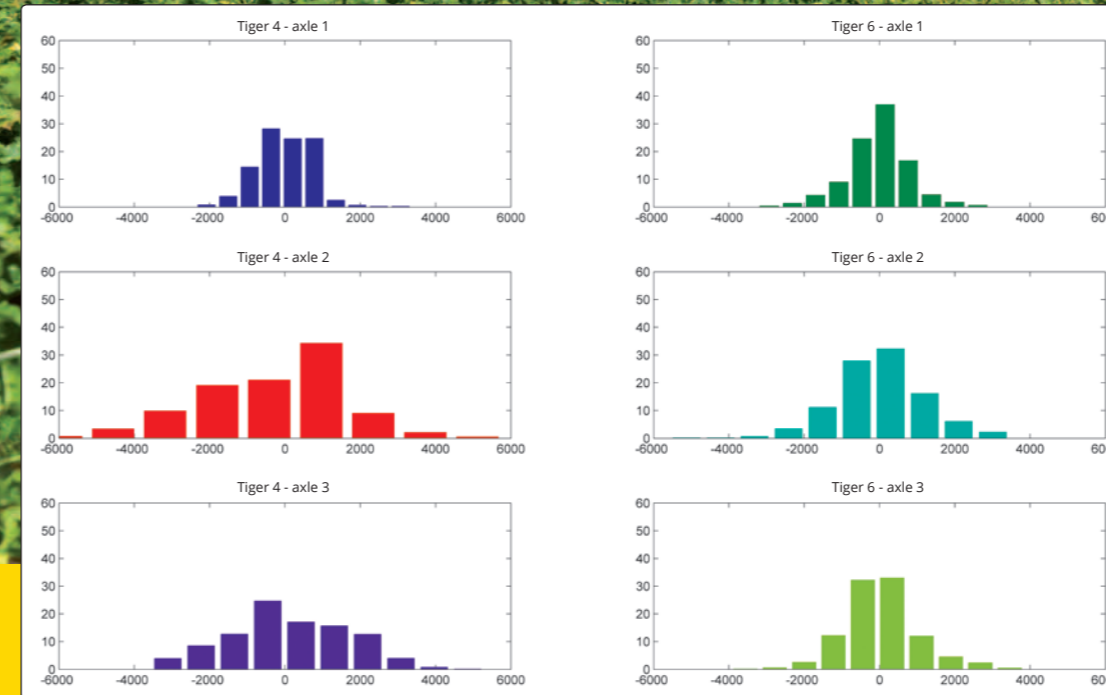
Hydraulic connection of the stabilization cylinders at front and rear axles from the each side



Hydraulic chassis system - roll stabilisation with load compensation, patented

ROPA has developed an innovative chassis concept with an oscillating front axle in conjunction with two hydraulically supported rear axles specially for the flagship Tiger. Compared to the chassis on previous 3-axle beet harvesters (with the central axle fixed to the frame), this reduces the sway of machine by one third! The reason for the improvement is the hydraulic connection of the cylinders at the front and rear axles on one side, so unevenness at one wheel at a different level only affects the frame by 33 per cent compared to the previous system. Thanks to the reduction of the chassis swing, the row and depth control are improved simultaneously, as the frame is averaged to the position of three axles. The hydraulic connection of the axles always distributes the load equally over all 6 wheels.

The hydraulic chassis system minimizes tyres load and ground pressure, thus ensuring further reduction of tyre inflation pressure.



Horizontally: peak loads in kg during lifting at 7 km/h - Vertically: time in %

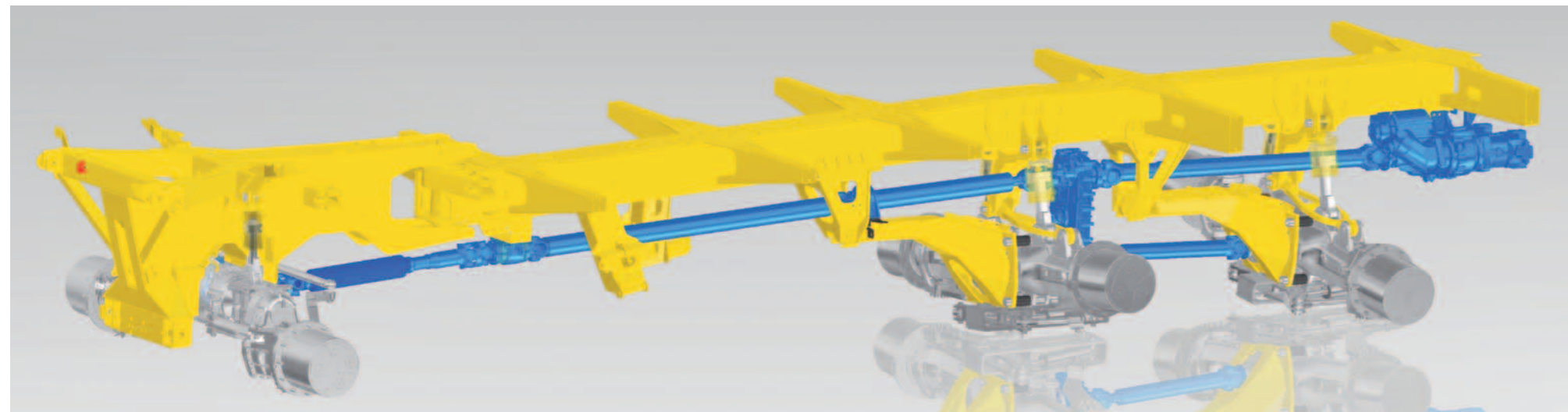
The patented chassis reduces the load peaks by

- 8 % at the 1st axle
- 37 % at the 2nd axle
- 43 % at the 3rd axle

ROPA

Direct power transmission with cardan shafts ensures even traction at all wheels with very high torque

As a unique selling proposition on the market of 3-axle sugar beet harvesters, the Tiger has a direct power transmission via directly linear situated cardan shafts from traction drive to both rear axles and front axle, which is a great advantage for better traction in changing or difficult soil and harvesting conditions. Thanks to hydraulic chassis the load is always distributed evenly.



Stepless CVR gearbox for efficient power transfer

The new stepless traction drive was specifically developed by ROPA, Omsi and Bosch-Rexroth for the ROPA Tiger with its high drive power. The "constant variable ROPA" gearbox (CVR) consists of three hydraulic motors on a compound gearbox and is located between the engine compartment and the third axle. The maximum speed of 40 km/h can be reached by the Tiger 6S at economical 1,200 rpm. Harvesting in the field requires an engine speed of only 1,100 rpm. Depending on power requirements the rotational speed of the Tiger is automatically regulated up to 1,650 rpm. The multi-disk differential brakes integrated into the axles (protected from dirt) running in oil bath "tame" the Tiger as required.

Even wheel load, uniform rolling circumference of rear wheels, even traction power distribution -> optimal traction!



R Soil Protect



ROPA



RAS - ROPA all-round defoliator

Integral leaf-layer or leaf ejector

The integral leaf layer shreds the beet leaves and deposits them between the rows. A press of the button in the cabin switches the machine between topping modes. When operating with leaf ejection the shredded beet leaves are spread over the harvested area by a leaf-spreader with a leaf auger feeding the leaves to it. Optionally, it can be equipped with RBSO (without switch-over function to integral) with 4 fixed depth-control wheels as well as with a leaf pile conveyor for harvesting beet leaves (biogas or dairy cattle).



RIS/RISU - ROPA integral defoliator

ROPA integral defoliator - standard model for normal harvesting conditions

Leaves from the beet crowns are mulched with robust defoliator knives and spread between the rows. Therefore, beet leaves with all their nutrients are evenly delivered to the soil, the optimal basis for further soil cultivation as green waste is quickly converted to humus. The integral defoliator is available with depth-control wheels (RISU) and mechanically folding leaf sensor or without depth-control wheels (RISU) with a hydraulically folding leaf sensor.

ROPA



RES - ROPA rubber defoliator

The speed and height of the two fully hydraulically powered and counter-rotating cleaning rotors can be independently adjusted – unique! The front shaft as a combined shaft is fitted with steel blades and cleaning rubbers, the second defoliator shaft is fitted with cleaning rubbers only.

Various settings can be stored and recalled on the joystick using a memory function.



Micro-Topper

The sharp knife cuts off leaves, nothing is wasted, no beets are cut too low.



RR lifting unit with automatic share depth adjustment of the individual rows and hydraulic stone protection

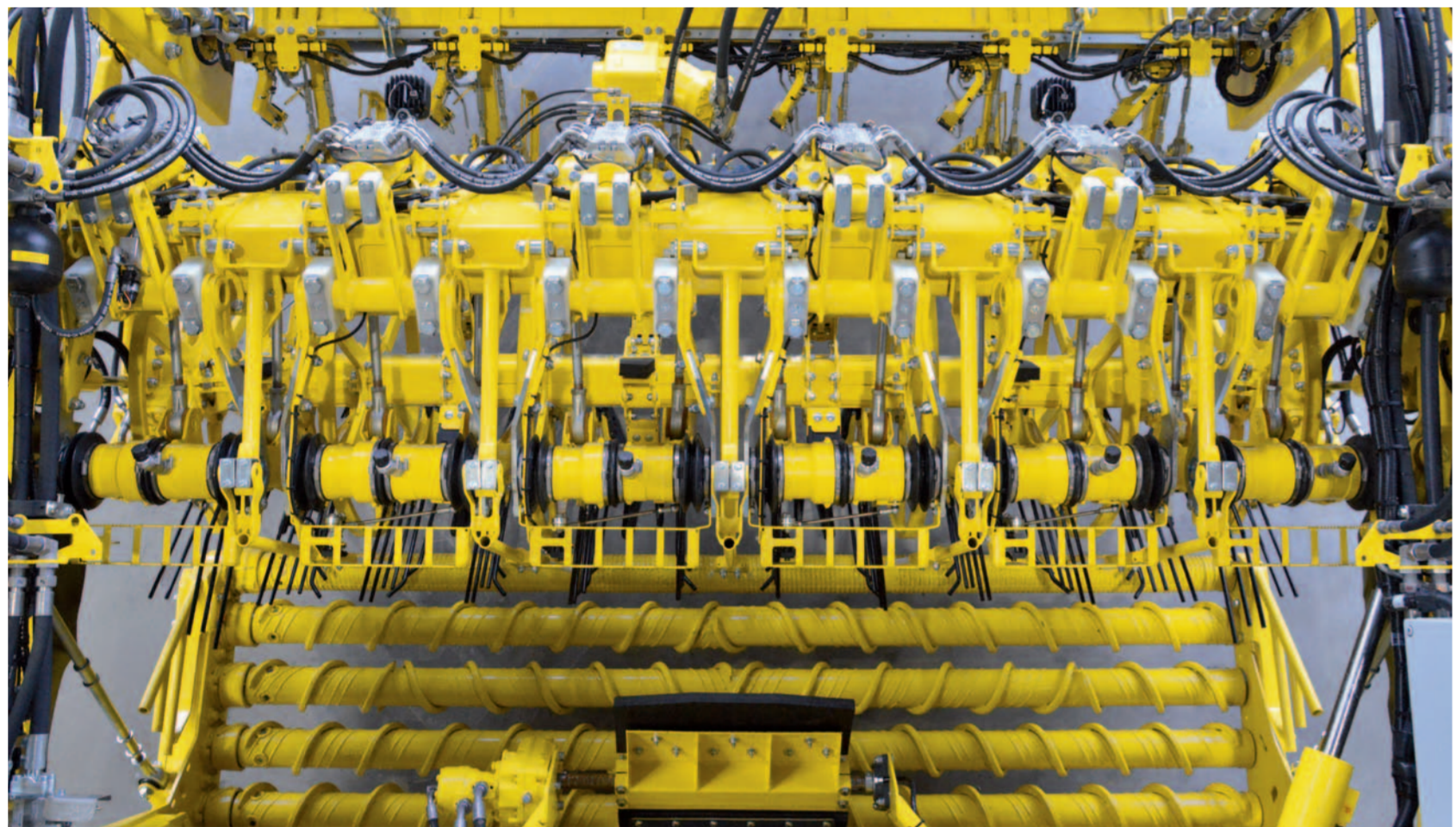
The RR lifting unit is equipped with counter-rotating oscillating shares, seven lifting rollers, completely maintenance-free hydraulic stone protection and single-row adjustment of the share depth. The 850 mm large depth-control wheels combined with the intelligent three-point suspension guarantee accurate depth control of the lifter. Maintenance costs are minimised with adjustable taper roller bearings in transmissions and the oscillating share drive.



RR lifter

with seven lifting rollers, welded as standard with extremely abrasion-resistant, carbide containing hard-coated wire "Ropa Scretec".

Simple, fast exchange of the lifting rollers for varying conditions (different diameters, outfeed, infeed, etc.)



R-Trim and R-Contour

Automatic defoliator height adjustment and ground contour sensor system for better quality of the harvested beets combined with a significant ease of operation.

The ROPA Tiger 6S presents two innovations for automatic adjustment of the working depths at the harvesting attachment:

- **R-Trim - automatic adjustment of the defoliator height**

- **R-Contour - automatic share depth adjustment of the individual rows at the RR lifting unit**

Both systems adapt their working depth to the changing conditions in the beet crop throughout the field. The automatic systems react to different crown heights or to ground unevenness crosswise to the direction of travel. The already known measuring system at the scalper has been extended by an additional measuring system for recording the ground contour directly at the beet rows.

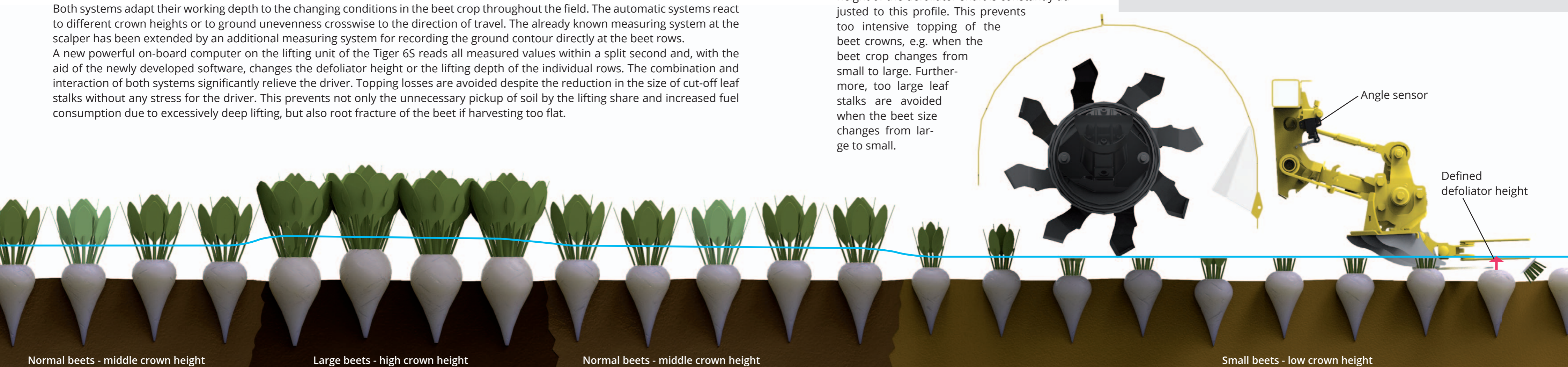
A new powerful on-board computer on the lifting unit of the Tiger 6S reads all measured values within a split second and, with the aid of the newly developed software, changes the defoliator height or the lifting depth of the individual rows. The combination and interaction of both systems significantly relieve the driver. Topping losses are avoided despite the reduction in the size of cut-off leaf stalks without any stress for the driver. This prevents not only the unnecessary pickup of soil by the lifting share and increased fuel consumption due to excessively deep lifting, but also root fracture of the beet if harvesting too flat.

R-Trim: Automatic defoliator height adjustment

The Micro-Topper comb detects the crown height of the topped beets. A height profile (blue line in the chart) is calculated from the average values of these crown heights. The height of the defoliator shaft is constantly adjusted to this profile. This prevents too intensive topping of the beet crowns, e.g. when the beet crop changes from small to large. Furthermore, too large leaf stalks are avoided when the beet size changes from large to small.

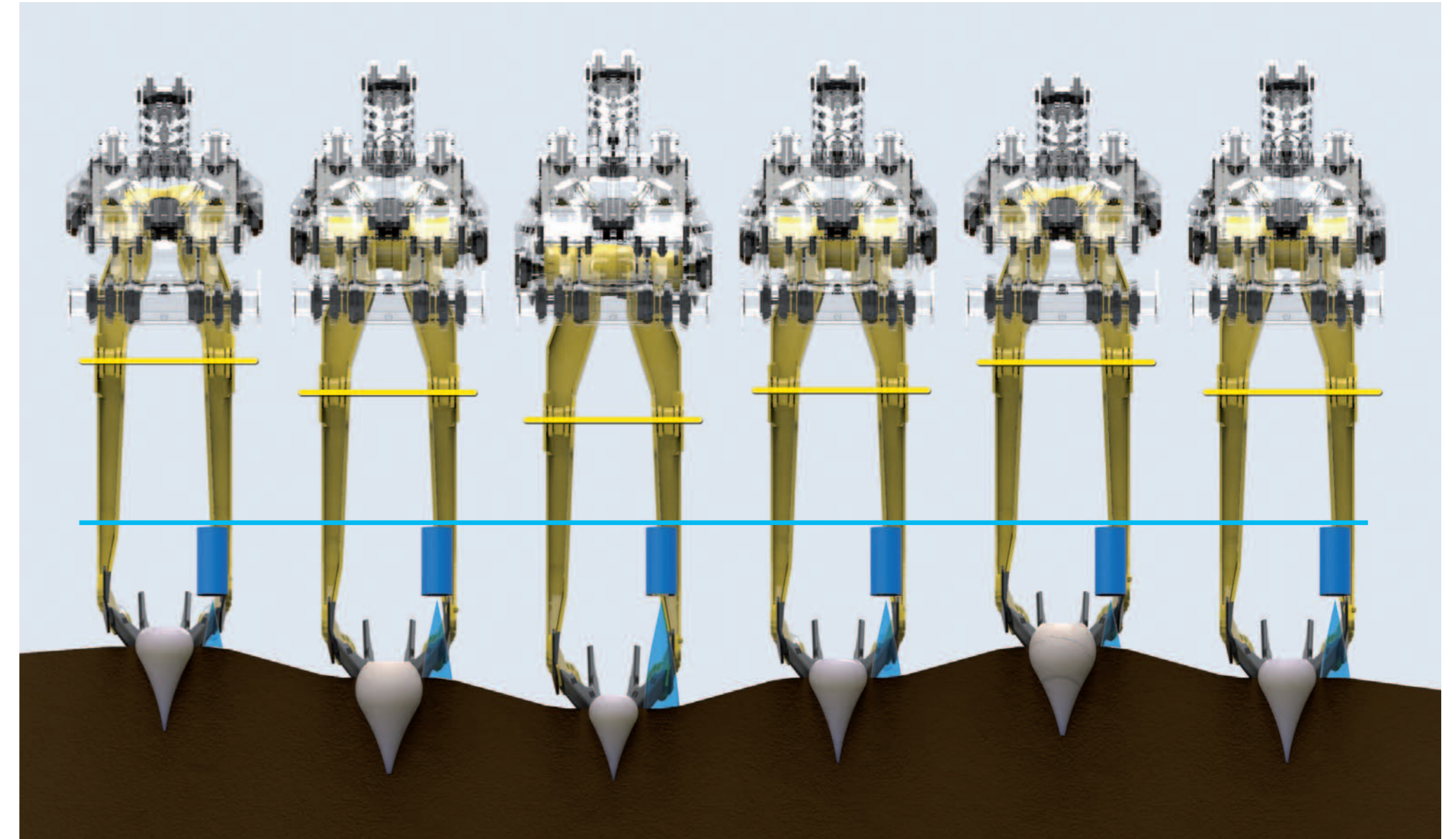
How does it work?

The driver sets in the menu the desired height of the defoliator shaft over the cutting height of the scalper flail (red arrow in the chart). Thus, defining the average length of the stalks remaining on the beet after the defoliator blades. An angle sensor on each Micro-Topper records the crown height of each beet row. In the case of differences in the crop growth (e.g. dry areas) the activated R-Trim automatically corrects the height guide of the defoliator shaft depending on the highest beet.



R-Contour: Automatic share depth adjustment of the individual rows at the RR lifting unit

The machine operator uses the joystick on the operating console to set the lifting depth as required and thus defines how deep the lifter share will penetrate the soil. Ultrasonic sensors beside every beet row record the ground surface contour. Powerful on-board computers process the measured values and ensure that the lifting depth is maintained in accordance with the ground contour. Compared to the previous systems for automatic adjustment of single rows, this system has many advantages, particularly with higher growth in beet rows beside lanes.



Automatic share depth adjustment for uneven ground contour
Ultrasonic sensors beside every beet row record the ground surface contour



How does it work?

The driver activates the R-Contour (ground contour sensor system) in the terminal. Thus, the share depth adapts to the ground contours. The activated R-Contour prevents root fracture of the beet if harvesting too flat or unnecessary pickup of soil if harvesting too deep. The share depth adjustment is displayed synchronously on the terminal.



Convenient maintenance position - RR lifting unit

The defoliator and the lifter assembly can be raised hydraulically up to 90° above the lifting unit for service (scalper flails, lifting shares). It is raised from the cabin by pressing a button without requiring the driver to leave the cabin, or from the ground using the push buttons.

The diesel engine can be started and switched off by pushing a button on the lifter.



Tiger 6S XL - the highest efficiency and power

The ROPA Tiger 6S equipped with 8- or 9-row wide harvesting units of the RR-XL series is capable of covering significantly larger areas at reduced harvesting speed. Only some advantages of this version include reduced fuel consumption, lower harvesting costs and an improved topping quality. By attaching the wide PR-XL lifting units, the front axle of the Tiger 6S can use even wider, but also soil-protective, Michelin IF 900/60 R38 CerexBib2 tyres. Fewer passes and manoeuvres also contribute to soil protection.

Tiger 6 XL illustration



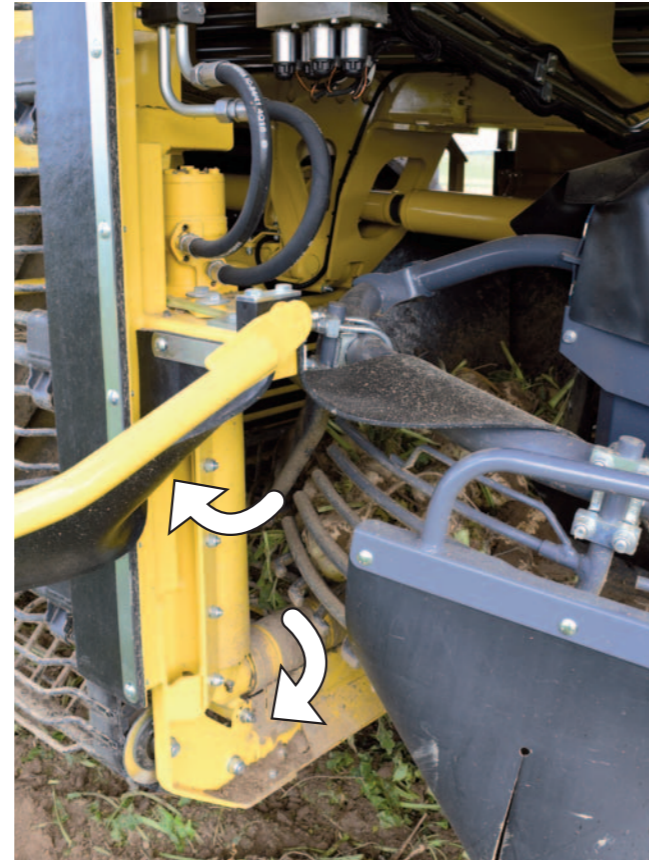
TIGER 6s XL



Illustration shows Tiger 6 XL, Tiger 6S XL available from 2020

Cleaning - gentle, efficient and individually adjustable

The hydraulically tensioned sieve conveyor efficiently transports the beets to the first strainer wheel. The portal axis enables maximum throughput without slowing the beet flow or damaging the beets. The driver can steplessly adjust the sieve conveyor speed and reverse it if necessary from the cabin. The beet flow monitoring prevents the beets from overflowing the machine. Three strainer wheels equipped with forged tines, which have improved speed adjustment (a separate pressure sensor for each strainer wheel), clean the beets with extreme efficiency and care. The offset carrier tines ensure fast forwarding even at low strainer wheel rotation speeds.



Rotating transition tubes at the elevator infeed prevent accumulation of soil



Offset strainer wheel tines

Agitator at the transition to the second strainer wheel (optional)

Cleaner on elevator rubber wheel

Extremely long unloading conveyor – faster bunker unloading

The extra-long unloading conveyor is attached high up. A great advantage when loading trailers driving alongside, because the transfer is closer to horizontal. The unloading conveyor is 3-way foldable and 2,000 mm wide for simple laying of 10-metre-wide piles or easy loading on trailers. Gentle polyurethane fingers guarantee high feeding capacity with short unloading times of less than 50 sec. with a full beet bunker holding approx. 43 m³. The automatic bunker filling allows optimum traction under all harvest conditions by excellent weight distribution. Two ultrasound sensors measure the load by totalling the bunker loads and save it in the order database.

Fast truck loading, gentle and convenient bunker unloading.



Control element on the left armrest for fine control of bunker unloading



Diesel engine in Tiger 6Sd: Volvo Penta TWD1683VE with 796 hp / 585 kW

This engine was optimized by Volvo Penta for operation in the Tiger 6Sd. With 16.12 litre capacity, common rail injection, SCR catalytic converter and AdBlue, this engine type delivers its energy even more efficiently and eco-friendly.

This powerful package with its dual turbochargers generates a huge maximum torque of 3,650 Nm. At only 1,000 rpm it already generates 3,550 Nm, enabling the machine to save fuel and lift beets longer in the low speed range. Due to this modern technology in the power range over 560 kW, the engine complies with EU level 5 or USA TIER 4f even without exhaust gas recirculation and particle filter.

The basis for greater daily output at less fuel consumption and even more power at lower speeds.



Diesel engine in Tiger 6Sa: Volvo Penta TAD1643VE-B with 768 hp / 565 kW

With a capacity of 16.12 litres and pump-nozzle injection (PDE), the engine of Tiger 6Sa is the reliable and robust power package, that many customers already know and appreciate from Tiger 6a. This engine does not require AdBlue, SCR catalyst and exhaust gas recirculation. A powerful torque of 3,260 Nm is transmitted by the stepless traction drive at optimal efficiency. This engine will no longer be available in the EU from the year 2021 due to changes in legislation.





Technical Data for ROPA Tiger 6S

Tiger 6Sd engine:

Volvo Penta TWD1683VE 796 hp/585 kW, 16.12 l capacity, 6-cylinder inline engine, common rail injection, complies with EU level 5 and USA Tier 4f, with SCR catalytic converter and AdBlue, maximum fuel sulphur content 15 ppm required to meet emission standards

Max. torque 3,650 Nm, 3,550 Nm from as low as 1,000 rpm, working speed 1,100 rpm, automotive up to max. 1,650 rpm

Tiger 6Sa engine (not for USA/Canada):

Volvo Penta TAD1643VE-B 768 hp/565 kW, 16.12 l capacity, 6-cylinder inline engine, pump injection (PDE), WITHOUT AdBlue, WITHOUT exhaust gas recirculation, approved max. fuel sulphur content 5,000 ppm

Max. torque 3,260 Nm, working speed 1,100 rpm, automotive up to max. 1,650 rpm

Cooling system:

Horizontal side-by-side radiator elements for intercooling and water cooling, CVR oil cooler and air-conditioning condenser above (can be lifted off), radiator positioned at top rear for protection from dirt, hydraulic oil cooler with open fan, hydrostatically driven stepless and automatically reversing fan

Traction drive:

Traction drive with stepless CVR gearbox for efficient power transmission consisting

of three hydraulic motors on the compound gearbox, continuous from 0 to 40 km/h without power interruption (no gear change or switching), 40 km/h in road mode at approx. 1,200 rpm, 17.5 km/h in the field at 1,240 rpm.

Chassis - R-Soil Protect:

Patented chassis design with oscillating front axle in conjunction with 2 hydraulically supported rear axles

R-Balance slope adaptation:

The chassis can be inclined by 10% to the slope on each side by 6 hydraulic cylinders. Automatic slope adaptation by a 3-axis gyroscope with acceleration measurement for centrifugal force compensation (optional)

Chassis roll stabilisation:

Roll stabilisation by hydraulic compensation of oil level in the stabilisation cylinders on each side of the vehicle

Tyres:

1st axle:
Michelin IF 800/70 R38 CerexBib2 (1.4 bar)
2nd and 3rd axle
Michelin MegaXBib 1050/50 R32 (1.9 bar)
Optional
Michelin IF 1000/55 R32 CerexBib (1.4 bar)

Large tyre contact surface protects soil and allows high operating reliability even in wet conditions and on slopes

Hydraulics:

Pump distributor gears with pressurized air lubrication and transmission oil cooling system, Bosch-Rexroth traction drive, high-capacity load sensing hydraulics from Bosch-Rexroth, Bucher and Hydac

Cabin:

Sound-insulated and tinted all-round glass with low-line vision, quiet stepless fan in heating and ventilation system (climate control air-conditioning), air-sprung GRAMMER ROPA Evolution seat with heating and active ventilation, autopilot, cruise control, base console for telephone, AM/FM/CD/USB/Bluetooth/DAB+ radio with external microphone for hands-free system, 14 litre cooling box

Operation:

Two 12.1-inch R-Touch displays on the operating console and the left A-pillar, multifunction joystick on the right with programmable buttons, bunker control with joystick grip on the left armrest, machine diagnostics including DM1 error messages of the diesel engine fully integrated in plain text, 2 LED interior lights, full-surface window wipers

Defoliator/rubber defoliator:

RIS - integral defoliator unit with leaf spreading between beet rows, 2 depth-control wheels

RISU - integral defoliator unit with leaf spreading between the beet rows, without depth-control wheels

RAS - all-round defoliator unit, push-button operation from the driver's seat, can be changed for either integral topping or leaf ejection to the left, 2 depth-control wheels (4 depth-control wheels as option)

RBSO - for leaf ejection to the side (left) - with leaf auger and leaf-spreader, 4 rigid depth-control wheels, only available in 45 cm (Legally approved only in specific countries)

RES - rubber defoliator with leaf spreading between beet rows, 2 depth-control wheels

RR lifting unit:

6, 8 or 9-row, 45 cm, 50 cm or variable (6-row only)
hydraulic single-row share-depth adjustment, hydraulic stone protection, 85 cm depth-control wheels, 7 lifting rollers, fast stepless shaking share drive with axial piston motor, adjustable taper roller bearings in shaking share drive and lifting gears, excellent view of lifting unit and scalper without additional cameras, service position allows defoliator and lifting group to be raised 90 degrees for the best possible inspection and service of defoliator blades, scalper flails and lifting shares

Cleaning:

Infeed conveyor: 800 mm wide, 50 mm pitch
1st strainer wheel: 1,700 mm diameter
2nd strainer wheel: 1,500 mm diameter
3rd strainer wheel: 1,500 mm diameter
strainer wheels with forged tines, 6 offset strainer wheel tines in the 1st strainer wheel and 4 offset strainer wheel tines each in the 2nd and 3rd strainer wheels

Guide grids:

Height independently adjustable at 1st, 2nd, 3rd strainer wheels, guide grids can be replaced with spring tines segment by segment

Elevator:

1,000 m wide

Electrics:

Integrated 24 volt network, 150 amp generator, 3 x 12 volt sockets for radio or telephone etc., CAN-BUS computer system with integrated diagnostics for all components connected to the terminal, software update per USB interface or online

Lighting:

Coming-home function
2 Hella C140 LED main headlights at the front on the defoliator unit
6 LED working floodlights (1,700 lumen)
Hella LED Oval 90 on cabin roof

23 LED working floodlights (1,800 lumen)
Nordic Lights
4 LED spotlights for lighting the engine compartment
Rotating beacons Hella RotaLED Compact

Unloading conveyor:

3-way foldable, for even simpler laying of 10 metre piles, beet-protecting PU carriers for high throughput and short unloading times, both conveyors steplessly speed-controlled, longitudinal conveyor with quick-motion switch, unloading conveyor width 200 cm for even easier loading on trailers, bunker unloading in less than one minute, truck loading height up to 4.00 m

Bunker capacity:

over 43 m³ / 30 t

Yield indicator:

2 ultrasound sensors measure the bunker content, full bunkers (and partly loaded bunkers) are added up and automatically recorded in the yield database.

Measurements:

Length: 14.99 m
Height: 4.00 m (transport mode)
Width: 3.00 m (6-rows at 45 cm per row),
3.30 m (6-rows at 50 cm per row and 45-50 cm variable)
> 3.30 m (with RR-XL depending on the size of the lifting unit)

Fuel tank:

1,320 l, fuel consumption displayed in l/ha and l/h on the terminal

AdBlue tank:

145 l (only at Tiger 6Sd)

Unladen weight:

from 33,400 kg, depending on equipment

Standard equipment:

Central lubricating system, fuel consumption recording, climate control, 1 digital camera as a reversing camera, 1 digital camera for the strainer wheel system, R-Connect telematics module including SIM card, hard-coated scalper flails, welded lifting rollers with hard coating, cleaner on elevator rubber, 40 km/h, R-Balance manual slope compensation

Other equipment options:

R-Balance automatic slope compensation, R-Contour (automatic share depth adjustment of single rows by ground contour detection), R-Trim (automatic defoliator height adjustment), reinforced defoliator plate for integral defoliator, leaf-spreader with stone protection, leaf pile equipment (only at defoliators with leaf ejection), skids on scalper, Widia forged lifting shares, data printer, R-Transfer PROFESSIONAL, R-Transfer BASIC, R-View video system (bird's eye perspective), 1 digital camera

for unloading conveyor, 1 digital camera for beet crop on cabin roof, R-Connect monitor, non-slip speed measurement, 2 LED high-beam headlamps (4,200 lumen)
Nordic Lights on mirror brackets, strainer wheel segments optionally with guide grids or spring tines on strainer wheels 1-3, agitator in the 2nd strainer wheel, 2nd strainer wheel discharge grid in standard, stone protection or spring tine model, level indicator on diesel tank, additional chassis (required in Germany), reduction of maximum speed from 40 km/h to 32 km/h, chicory equipment, contour marking package

For delivery within the EU/Europe incl. TÜV Certificate according to § 21 German Road Traffic Licensing Regulations. Conforms to Machinery Directive 2006/42/EC (CE marking) and the requirements of the employers' liability insurance association. Subject to technical changes.

Existing protective covers have been partially dismantled for better imaging. The machine must not be operated without these covers!



ROPA Fahrzeug- und Maschinenbau GmbH

Sittelsdorf 24 · D-84097 Herrngiersdorf

Tel.: +49 (0) 87 85 / 96 01 - 0 · vertrieb@ropa-maschinenbau.de

www.ropa-maschinenbau.de